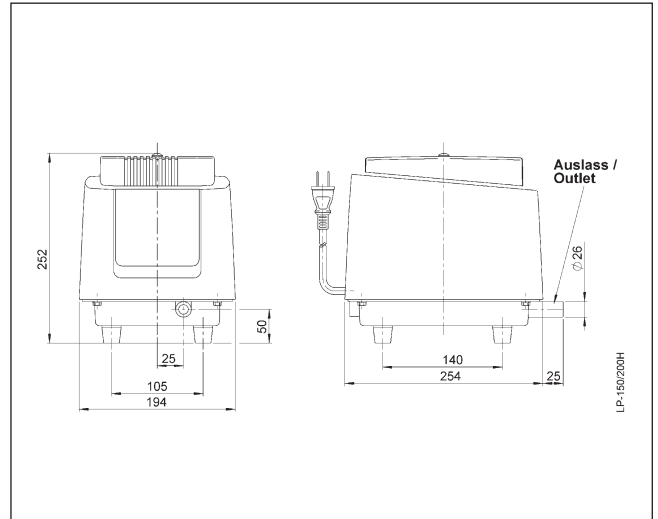




# Linear Diaphragm Pumps

## LP-150H, LP-200H

**Flow at rated pressure 150 to 200 l/min**



### Pneumatic Data

Description	LP-150H	LP-200H
Part number	52500150	52500200
Flow at rated pressure	150 l/min	200 l/min
Rated pressure	200 mbar	200 mbar
Operating range	100 to 300 mbar	100 to 300 mbar

### Electrical Data

Motor type	Linear drive	Linear drive
Voltage	230 V 50/60 Hz	230 V 50/60 Hz
Consumption at free flow	1,4 A/185 W	2,4 A/270 W
Consumption at rated pressure	1,2 A/135 W	2,3 A/220 W

### General Data

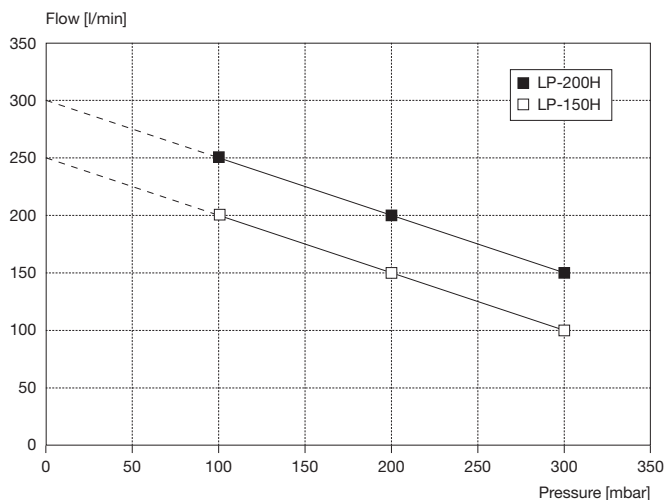
Ambient temperature	-10 to 40 °C	-10 to 40 °C
Weight	11,0 kg	11,0 kg
Outlet diameter	26 mm	26 mm
Average noise level	43 dB (A)	44 dB (A)

### Service Parts

Service Parts	Part Numbers	
Chamber block set	700042	700042
Air filter and gaskets kit	700048	700048
Air filter kit	700171	700171
Protective switch	700149	700149

Please refer to operating instructions and service manual for additional information.  
All listed values are measured at standard atmospheric conditions and at 50Hz.

### Flow Curves



### Service parts:

Chamber block consists of:  
2 x Pump head  
2 x Valve plate gasket  
2 x Pump body with valves  
2 x Diaphragm  
2 x Diaphragm ring  
2 x Diaphragm nut  
2 x Diaphragm washer

Air filter kit consists of:  
5 x Air cleaner element  
5 x Air cleaner gasket

Protective switch consists of:  
1 x Microswitch with bracket

Filter and gaskets kit consists of:

1 x Air cleaner element  
1 x Air cleaner gasket  
1 x Tank gasket  
2 x L-Hose  
2 x L-Clamp

### Supplied as standard:

Cable/Euro-plug  
Air connector (part number 700050) consists of:  
1 x Outlet hose, 150 mm  
2 x Hose clamp

The information presented in this material is based on technical data and test results of nominal units. It is believed to be accurate and reliable and is offered as an aid to help in the selection of Rietschle Thomas products. It is the responsibility of the user to determine the suitability of the product for the intended use and the user assumes all risk and liability whatsoever in connection therewith. Rietschle Thomas does not warrant, guarantee or assume any obligation or liability in connection with this information.